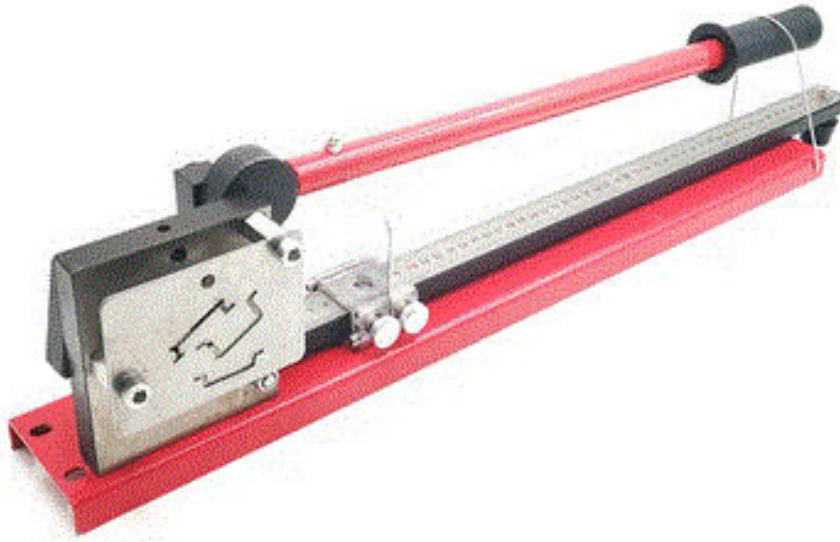


DIN rail cutter DRC-35

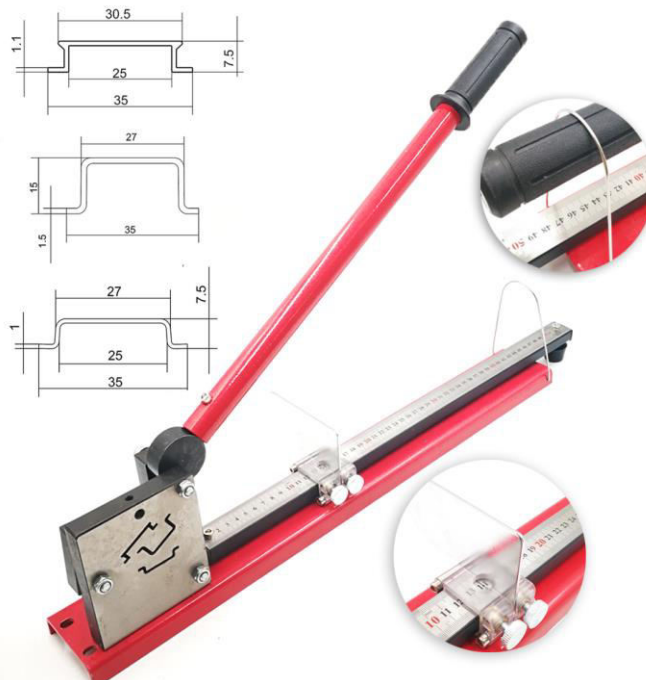


Technical information:

Dimension: 700 x 200 x 140 mm

Weight: 7,5 kg

usable for



AWM Weidner

Kettmerstr. 25 D-70794 Filderstadt
Tel.: 0711 7009503 Fax. 0711 7009504
info@awm-weidner.de www.awm-weidner.de

